



6Q SERIES

Ductile Iron Epoxy Coated Full Port Class 125 Flanged Ball Valve

Job Name:	Contractor:
Job Location:	P.O. Number:
Engineer:	Representative:
Tag:	Wholesale Distributor:

DESCRIPTION

The Apollo® International 6Q-series Full Port Ball Valves offer unobstructed turbulence-free flow that gate and butterfly valves can't match. Compact design and low profile handle for easy installation in tight areas and featuring a ductile iron body and FDA grade epoxy coating ideal for water service. Same face to face dimensions as class 125 and 150 gate valves per ANSI B.16.10.

FEATURES

- Stainless Steel Ball & Stem
- Ductile Iron Body and Retainer
- FDA Grade Epoxy Coating
- Full Port Ball Configuration in all sizes
- Adjustable Packing Gland
- Blow-Out Proof Stem Design
- PTFE Seats and Stem Packing
- Large 4-Bolt Actuator Mounting Pad

PERFORMANCE RATING

- Maximum Pressure: 200 psi CWP
- Maximum Temperature: 200°F
- Vacuum Service to 29 in. Hg

STANDARD MATERIALS LIST

Part Name	Material
Handle	Ductile Iron 2 1/2"-6"
Stem Packing	PTFE
Stem Bearing	PTFE
Ball	304 SS
Seat (2)	PTFE
Gland	Cast Iron, ASTM A 126 Class B
Stem	304 SS
Body Bolt	Steel ASTM A6
Retainer	Ductile Iron, ASTM A536 Grade 65-45-12
Body	Ductile Iron, ASTM A536 Grade 65-45-12

COMPLIANCE

- MSS SP-72, "Ball Valves with Flanged or Butt-Welding Ends"
- ASME B16.10, "Face to Face, End to End Dimensions of Valves"
- ASME B42.1, "Ductile Iron Pipe Flanges and Flanged Fittings"
- AWWA C550, "Protective Interior Coatings for Valves & Hydrants"
- Federal Specification WW-V-35, Type II, Style 3



REPAIR AND HANDLE KITS

Size	Repair Kit	Handle Kit	2" Sq. Nut
2 1/2"	6P02901	78141401	H305505
3"	6P02001	78141501	H305505
4"	6P02A01	78141601	H305605
6"	6P02C01	78141701	H305705

VALVE OPERATING TORQUE

SIZE, IN	RATINGS, CV	MAX. OPERATING TORQUE IN-LBS
2 1/2"	420	800
3"	800	800
4"	1,300	1,200
6"	3,300	2,000

Conbraco Industries, Inc. 701 Matthews Mint Hill Rd. Matthews NC 28106 USA; www.apollovalves.com ; 704-841-6000

This specification is provided for reference only. Conbraco reserves the right to change any portion of this specification without notice and without incurring obligation to make such changes to Conbraco products previously or subsequently sold.



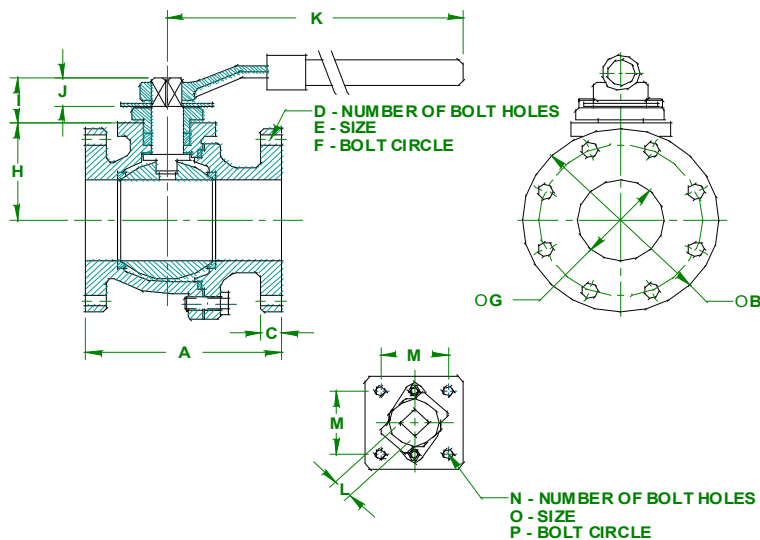
6Q SERIES

Ductile Iron Epoxy Coated Full Port Class 125 Flanged Ball Valve

6Q Series Part Numbering Guide

Size (in)	Part Number	
	Lever Operated	Gear Operated
2 1/2	6Q20901	6Q209MG
3	6Q20001	6Q200MG
4	6Q20A01	6Q20AMG
6	6Q20C01	6Q20CMG
8	N/A	6Q20E01
10	N/A	6Q20G01

SIZE: 2"-6"



SIZE (IN.)	DIMENSIONS																				WT. (LBS.)	
	A	B	C	D	E	F	G	H	I	J	K	L	M	N	O	P	Q	R	S	T		U
2-1/2"	7.5	7.0	0.7	4	0.75	5.5	2.5	3.7	2.0	1.0	16.5	0.78	2.92	4	1/2-13 UNC	4.13	-	-	-	-	-	34
3"	8.0	7.5	0.8	4	0.75	6.0	3.0	4.0	2.2	1.0	16.5	0.78	2.92	4	1/2-13 UNC	4.13	-	-	-	-	-	38
4"	9.0	9.0	0.9	8	0.75	7.5	4.0	4.8	2.2	1.0	18.1	0.94	3.12	4	1/2-13 UNC	4.41	-	-	-	-	-	58
6"	10.5	11.0	1.0	8	0.88	9.5	6.0	7.2	2.8	1.7	21.7	1.08	3.62	4	5/8-11 UNC	5.12	-	-	-	-	-	118

Conbraco Industries, Inc. 701 Matthews Mint Hill Rd. Matthews NC 28106 USA; www.apollovalves.com ; 704-841-6000

Conbraco Industries can accept no responsibility for possible errors in this document and reserves the right to alter its product design or construction without notice and without incurring any obligation to make such changes on Conbraco products previously or subsequently sold. All product specifications are approximate and are provided for reference only.