



Job Name:	
Job Location:	
Engineer:	
Contractor:	
Tag:	
PO#:	
Rep:	
Wholesale Dist.:	

DESCRIPTION

The **Large Diameter Apollo International™ LD141 Series Ductile Iron Butterfly Valves** are ideal for use in Industrial and Commercial/HVAC/Mechanical applications. The LD141 Series is lug style butterfly valve. Available in sizes 28" - 48".

FEATURES

- Compatible with ANSI 125# & 150# Flanges
- ISO 5211 Top Plate Allows Choice of Apollo® Pneumatic Actuators and Gear Operators
- Conforms to MSS SP-67 & API 609

PERFORMANCE RATING

- Pressure Rating: 28" to 48": 150 psi

OPTION

- -SF: Silicone Free (Available)

MATERIAL OPTIONS

BODY

- Ductile Iron ASTM A536, (65-45-12)

DISC MATERIAL

- Ductile Iron A536 Nickel Plated
- 316 Stainless Steel, CF8M (priced at Al/Brz cost)

SEAT MATERIAL

- EPDM*: -4°F to +248°F Intermittent
- BUNA-N: +14°F to +212°F

*Peroxide Cured EPDM

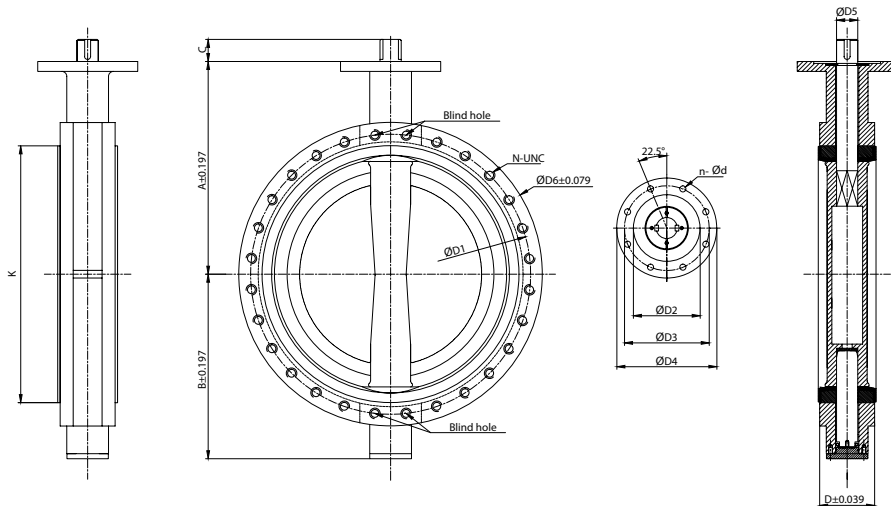
OPERATOR

- (-0) - None
- (-2) - Gear Operator (12" Handwheel)
- (-5) - Gear Operator w/ Chain Wheel
- (-7) - Locking Gear Operator
- (-8) - Locking Gear Operator w/ Chain Wheel

STANDARD MATERIAL LIST

BODY	Ductile Iron ASTM A536
BUSHINGS	Bronze
STEM SEAL	Buna-N
SHAFT	416 SS
SEAT	Peroxide Cured EPDM Buna-N (Nitrile)
DISC	Ductile Iron / A536 Nickel Plated 316 Stainless Steel / CF8M

SIZE (IN.)	DIN	DIMENSIONS (IN.)													WEIGHT (LB.)
		A	B	C	D	ØD1	ØD2	ØD3	ØD4	ØD5	ØD6	K (DISC DIA.)	N-UNC	N-ØD	
28	700	25.00	21.18	2.598	6.496	33.99	7.87	10.00	11.81	2.494	36.42	33.98	28 - 1-1/4	8-0.709	648
30	750	26.57	22.05	2.598	6.496	36.00	7.87	10.00	11.81	2.494	38.78	29.29	28 - 1-1/4	8-0.709	728
32	800	26.61	23.66	2.598	7.480	38.50	7.87	10.00	11.81	2.494	41.73	31.27	28 - 1-1/2	8-0.709	772
36	900	30.39	25.79	4.65	7.874	42.75	7.87	10.00	11.81	2.95	46.06	34.03	32 - 1-1/2	8-0.709	1162
40	1000	31.30	28.50	5.59	8.50	47.24	7.87	10.00	11.81	3.35	50.79	37.99	36 - 1-1/2	8-0.709	1526
42	1050	33.78	30.59	5.91	9.88	49.50	7.87	10.00	11.81	3.74	52.95	40.53	36 - 1-1/2	8-0.709	2138
48	1200	37.13	32.48	5.91	10.87	56.00	9.06	11.73	13.78	4.13	59.45	45.67	44 - 1-1/2	8-0.866	2686



PART NUMBER MATRIX (28" - 48")

WD	141	06	B	E	1	2
MODEL	SERIES	SIZE (IN.)	DISC MATERIAL	SEAT MATERIAL	SHAFT	OPERATOR
LD - LUG BODY	141 - APOLLO INTERNATIONAL™ (DUCTILE IRON)	28 - 28"	D - DUCTILE IRON A536 NICKEL PLATED	E - BLACK EPDM -20° F TO 250° F -29° C TO 121° C	1 - 416 SS (STANDARD)	0 - BARE SHAFT
		30 - 30"			2 - GEAR OPERATOR - DIRECT MOUNT	
		32 - 32"	S - STAINLESS STEEL, CF8M (STANDARD)	N - BLACK BUNA-N 10° F TO 180° F -12° C TO 82° C	2 - 316 SS	5 - GEAR OPERATOR W/ CHAINWHEEL
		36 - 36"			7 - LOCKING GEAR OPERATOR	
		40 - 40"			8 - LOCKING GEAR OPERATOR W/CHAINWHEEL	
		42 - 42"				
		48 - 48"				