



Job Name:	
Job Location:	
Engineer:	
Contractor:	
Tag:	
PO#:	
Rep:	
Wholesale Dist.:	

### DESCRIPTION

The Apollo® LD145/WD145 Series Ductile Iron Butterfly Valves are ideal for use in Industrial and Commercial/HVAC/Mechanical applications. The WD145 Series is a wafer style valve and the LD145 Series is a lug style. Available in sizes 2" - 12".

### FEATURES

- Assembled in USA, Pageland, SC
- Compatible with ANSI Class 125 & 150 flanges
- ISO 5211 top plate allows choice of Apollo® pneumatic actuators and manual operators
- Conforms to MSS SP-67 & API 609
- LD145 series suitable for end of line service to rated pressure (2" - 12")
- 3" and larger meet performance requirements of AWWA C-504
- Gray, epoxy coated bodies
- Pin-less/bolt-less stem shaft design
- Double-D stem input through 12"

### PERFORMANCE RATING

- Pressure Rating: 2" to 12": 200 psi

### APPROVALS

- NSF/ANSI 372 - Lead Free
- NSF/ANSI 61 - Water Quality\*
- CRN: OC/2102CL
- MSS SP67-2002a

\*applies to bronze and stainless steel disc models

### OPTIONS

- -SF: Silicon Free (Available)

### MATERIAL OPTIONS

#### BODY

- Ductile Iron ASTM A536, (65-45-12)

#### SHAFT MATERIAL

- Aluminum Bronze
- Ductile Iron A536 Nickel Plated
- 316 Stainless Steel, CF8M

#### SEAT MATERIAL

- EPDM: -20°F to +250°F Intermittent, 225°F Continuous (-29°C to +107°C)
- BUNA-N: +10°F to +180°F (-12°C to +82°C)
- Viton B: -20°F to 300°F (-29°C to +149°C)†

\*Peroxide Cured EPDM

### OPERATOR

- (-0) None
- (-1) 10 Position Handle
- (-2) Gear Operator (12" Handwheels)
- (-4) Locking Handle
- (-3) Infinite Position Handle
- (-5) Gear Operator w/ Chain Wheel
- (-7) Locking Gear Operator
- (-8) Locking Gear Operator w/ Chain Wheel

### STANDARD MATERIAL LIST

<b>BODY</b>	Ductile Iron ASTM A536
<b>BUSHINGS</b>	Glass Reinforced Epoxy Resin
<b>STEM SEAL</b>	Buna-N
<b>SHAFT</b>	416 SS ASTM A276 Type 416 (Standard) 316 SS ASTM A276 Type 316
<b>SEAT</b>	Peroxide Cured EPDM Buna-N (Nitrile)
<b>DISC</b>	Aluminum Bronze Ductile Iron / A536 Nickel Plated 316 Stainless Steel / CF8M

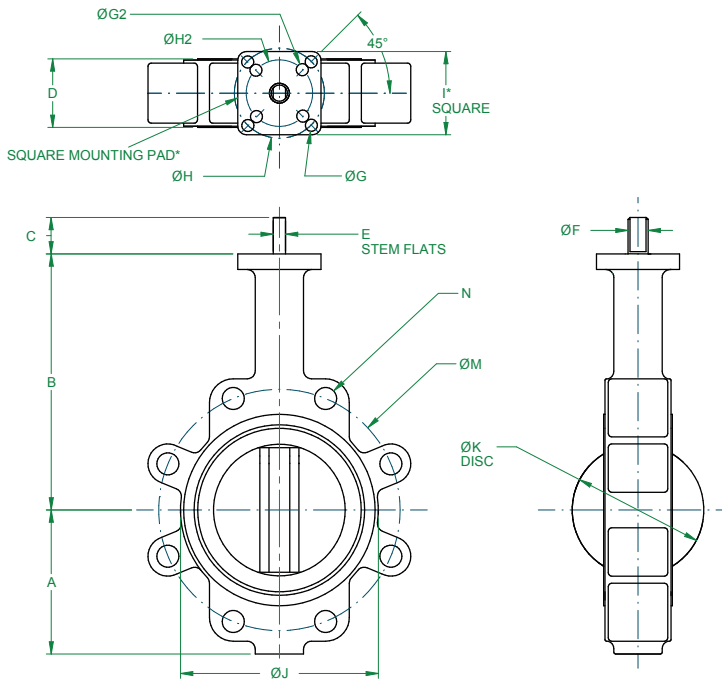
### SPECIFICATIONS

VALVE SIZE		TORQUE RATING *(IN-LB)				FLOW C <sub>v</sub> FULL OPEN	WEIGHT (LB)		GEAR RATIO
		FULL RATED PRESSURES (PSI)					WD145	LD145	
IN.	MM	ΔP 50	ΔP 100	ΔP 150	ΔP 200				
2	50	100	106	111	117	115	6	9	30:1
2.5	65	150	163	176	189	196	8	10	30:1
3	80	207	220	232	244	302	9	11	30:1
4	100	290	323	357	390	600	11	18	30:1
5	125	423	481	540	598	1022	15	22	30:1
6	150	599	691	783	875	1579	18	26	30:1
8	200	1060	1183	1307	1430	3136	32	43	50:1
10	250	1671	1872	2074	2275	5340	47	66	50:1
12	300	2568	2795	3023	3250	8250	70	102	50:1

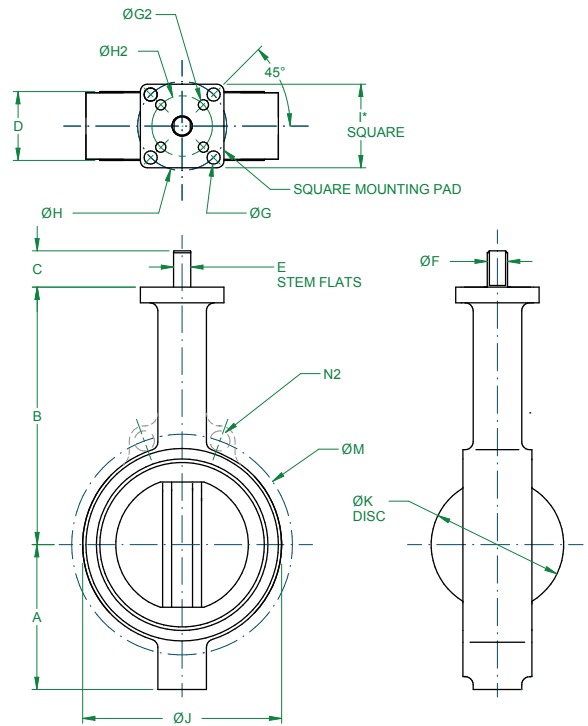
\*Lubricating Media Surface

\*LEAD FREE: The wetted surfaces of this product shall contain no more than 0.25% lead by weighted average. Complies with Federal Public Law 111-380. ANSI 3rd party approved and listed.

LD MODEL



WD MODEL



### DIMENSIONS

SIZE (IN.)	SIZE DN	DIMENSIONS (IN.)																	
		A	B	C	D	E	ØF	ØG	ØG2	KEY	ØH	ØH2	I	ØJ	K	DISC CHORD	M	N (WD)	N 2 (LD)
2	50	3.25	6.375	1.25	1.75	0.394	0.496	0.375	-	-	2.756	-	2.699	4	2.09	1.113	4.75	0.688	.625-11
2.5	65	3.75	6.880	1.25	1.88	0.394	0.496	0.375	-	-	2.756	-	2.699	4.75	2.54	1.706	5.50	0.688	.625-11
3	80	4.00	7.130	1.25	1.88	0.394	0.496	0.375	-	-	2.756	-	2.699	5.13	3.09	2.450	6.00	0.688	.625-11
4	100	4.88	7.880	1.25	2.13	0.472	0.621	0.375	-	-	2.756	-	2.699	6.75	4.09	3.488	7.50	0.688	.625-11
5	125	5.38	8.380	1.25	2.25	0.551	0.745	0.375	-	-	2.756	-	2.699	7.75	4.85	4.296	8.50	0.813	.750-10
6	150	5.88	8.880	1.25	2.25	0.551	0.745	0.375	-	-	2.756	-	2.699	8.63	6.13	5.697	9.50	0.813	.751-10
8	200	7.13	10.250	1.75	2.50	0.669	0.870	0.563	0.438	-	4.921	4.015	4.606	10.56	7.89	7.468	11.75	0.813	.750-10
10	250	8.25	11.500	1.88	2.75	0.866	1.120	0.563	0.438	-	4.921	4.015	4.606	13.06	9.89	9.484	14.25	0.938	.875-9
12	300	9.75	13.250	1.88	3.13	0.945	1.244	0.563	-	-	4.921	-	4.606	16	11.89	11.456	17.00	0.938	.875-9

#### PART NUMBER MATRIX

LD	145	06	B	E	1	1 -A (LD ONLY)
MODEL	SERIES	SIZE (IN.)	DISC MATERIAL	SEAT MATERIAL	SHAFT	OPERATOR
LD - LUG BODY	145 - ASSEMBLED & TESTED IN USA (DUCTILE IRON)	02 - 2"	B - ALUMINUM BRONZE	E - BLACK EPDM -20° F TO 250° F -29° C TO 121° C	1 - 416 SS	0 - BARE SHAFT
WD - WAFER BODY		25 - 2.5"	D - DUCTILE IRON A536 NICKEL PLATED		(STANDARD)	1 - 10 POSITION HANDLE
		03 - 3"		N - BLACK BUNA-N 10° F TO 180° F -12° C TO 82° C	2 - 316 SS	2 - GEAR OPERATOR - DIRECT MOUNT
		04 - 4"	S - STAINLESS STEEL, CF8M			3 - INFINITE POSITION HANDLE
		05 - 5"		V - BLACK VITON® B* -20° F TO 300° F -29° C TO 149° C (145 SERIES ONLY)		4 - LOCKING HANDLE
		06 - 6"				5 - GEAR OPERATOR W/ CHAINWHEEL
		08 - 8"				7 - LOCKING GEAR OPERATOR
		10 - 10"				8 - LOCKING GEAR OPERATOR W/CHAINWHEEL
		12 - 12"				-SF - SILICONE FREE ASSEMBLY

Certification - Product complies with NSF/ANSI 372 and NSF/ANSI 61 lead content requirements.

\*NSF 61 does not apply to ductile iron disc

\*Viton is primarily used for process applications, and has not been included in the scope of our Lead Free approvals

**EXAMPLE:**  
WD141-06-BE-11 = 6" WD145 Series, Ductile Iron Wafer Body, Aluminum Bronze Disc, Black EPDM Seat, 416 SS Shaft with 10 Position Handle