



Job Name:	
Job Location:	
Engineer:	
Contractor:	
Tag:	
PO#:	
Rep:	
Wholesale Dist.:	

### DESCRIPTION

The Apollo International™ Model 910WB-LF Cast Iron Wafer Check Valve provides full flow capabilities. The Model 910WB-LF Wafer Check Valve can be reliably installed in plumbing and heating systems or building service piping. Valve includes NSF lead free certifications

### FEATURES

- Compatible with ANSI 125# & 150# Flanges
- Full Port
- Minimal Pressure Drop
- Light Weight
- Spring Assisted Closing for Quicker Response
- FDA Food Grade Epoxy

### PERFORMANCE RATING

- 2"-12": 250 psi (17.2 Bar) Non-Shock Cold Working Pressure  
Maximum Temperature to 180°F (82°C)
  - 14"-24": 150 psi (10.3 Bar) Non-Shock Cold Working Pressure
  - Maximum Temperature to 180°F (82°C)
- Not for Steam Service**

### STANDARD MATERIALS LIST

Item #	Part Name	Material
1	BODY	Cast Iron (ASTM A126 CL B)
2	SEAT RINGS	Nitrile (BUNA-N)
3	DISC	Aluminum Bronze
4	SPRING	Stainless Steel 316
5	STEM	Stainless Steel 316
6	SCREW	Carbon Steel
7	PIN	Stainless Steel 316

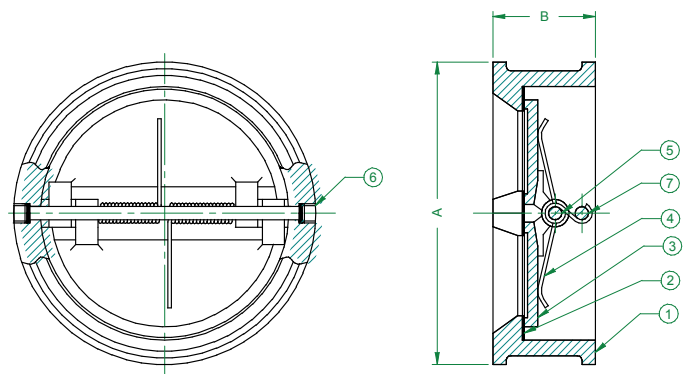
### APPROVALS

- NSF/ANSI 61 - Water Quality
- NSF/ANSI 372 - Lead Free
- CSA

### DIMENSIONS

PART NUMBER	SIZE (IN.)	DIMENSIONS (IN.)		WT. (LB.)	CV (TYP)
		A	B		
6WC108N1LF	2"	4.00	2.12	3	75
6WC109N1LF	2-1/2"	4.75	2.38	6	95
6WC100N1LF	3"	5.25	2.62	8	191
6WC10AN1LF	4"	6.75	2.62	13	377
6WC10BN1LF	5"	7.50	3.25	17	483
6WC10CN1LF	6"	8.50	3.75	25	821
6WC10EN1LF	8"	11.00	5.00	47	1,590
6WC10GN1LF	10"	13.25	5.50	67	2,920
6WC10HN1LF	12"	16.00	7.12	118	4,470
6WC10JN1LF	14"	17.75	7.25	132	5,870
6WC10KN1LF	16"	20.00	7.50	184	8,690
6WC10MN1LF	18"	21.50	8.00	223	10,940
6WC10NN1LF	20"	23.74	8.38	333	14,290
6WC10PN1LF	24"	28.00	8.75	474	23,000

*Cv = GPM @1 psi pressure drop, 60°F water  
\*Cv values are estimates only*



\*LEAD FREE: The wetted surfaces of this product shall contain no more than 0.25% lead by weighted average. Complies with Federal Public Law 111-380. ANSI 3rd party approved and listed.