



Job Name:	
Job Location:	
Engineer:	
Contractor:	
Tag:	
PO#:	
Rep:	
Wholesale Dist.:	

DESCRIPTION

The Apollo International™ Model 910WE-LF Cast Iron Wafer Check Valve provides full flow capabilities. The Model 910WE-LF Wafer Check Valve can be reliably installed in plumbing and heating systems or building service piping. Valve includes NSF lead free certifications

FEATURES

- Compatible with ANSI 125# & 150# Flanges
- Full Port
- Minimal Pressure Drop
- Light Weight
- Spring Assisted Closing for Quicker Response
- FDA Food Grade Epoxy

APPROVALS

- NSF/ANSI 61 - Water Quality
- NSF/ANSI 372 - Lead Free
- CSA B51-CRN Certified

PERFORMANCE RATING

- Cold Working Pressure:
200 psi (13.8 Bar) at 100°F
 - Temperature Range: -20°F to 180°F
- Not for Steam Service**

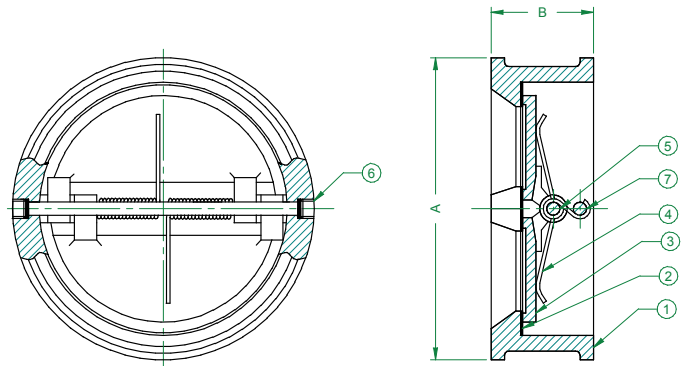
STANDARD MATERIALS LIST

1	BODY	Cast Iron (ASTM A126 CL B)
2	SEAT RINGS	EPDM
3	DISC	Aluminum Bronze
4	SPRING	Stainless Steel
5	STEM	Stainless Steel
6	SCREW	Carbon Steel
7	PIN	Stainless Steel

DIMENSIONS

PART NUMBER	SIZE (IN.)	DIMENSIONS (IN.)		WT. (LB.)	CV (TYP)
		A	B		
6WC108E1LF	2"	4.00	2.12	3	75
6WC109E1LF	2-1/2"	4.75	2.38	6	95
6WC100E1LF	3"	5.25	2.62	8	191
6WC10AE1LF	4"	6.75	2.62	13	377
6WC10BE1LF	5"	7.50	3.25	17	483
6WC10CE1LF	6"	8.50	3.75	25	821
6WC10EE1LF	8"	11.00	5.00	47	1,590
6WC10GE1LF	10"	13.25	5.50	67	2,920
6WC10HE1LF	12"	16.00	7.12	118	4,470

Cv = GPM @1 psi pressure drop, 60°F water
*Cv values are estimates only



*LEAD FREE: The wetted surfaces of this product shall contain no more than 0.25% lead by weighted average. Complies with Federal Public Law 111-380. ANSI 3rd party approved and listed.