

# 36E Series

Pressure Reducing Valve



Job Name:	
Job Location:	
Engineer:	
Contractor:	
Tag:	
PO#:	
Rep:	
Wholesale Dist.:	

## DESCRIPTION

The new large diameter Apollo 36E Series Pressure Reducing Valve is designed to conserve water and protect water distribution systems by automatically reducing elevated supply pressures. Ideal for industrial and irrigation applications. The dezincification resistant bronze body and dielectric polymer cage provide maximum corrosion resistance. Designed for easy in-line servicing with simple cartridge removal.

## FEATURES

- Balanced Piston Design
- SS Adjusting Screw & Nut
- Sealed Cage for Vault Installations
- Built-in Thermal Expansion Bypass
- Large Area Integral Stainless Steel Strainer
- Modular Seat Disc and Strainer Cartridge
- Control Pressure Ranges: 15-75 psi and 75-150 psi
- High Flow / High Efficiency Design
- NPT & Solder Connections
- Factory Tested and Preset at 60 psi
- Single Union, Double Union and Less Union Configurations Available
- 100% Manufactured in USA – ARRA Compliant**

## PERFORMANCE RATING

- Maximum Supply Pressure: 400 psig
- Working Temperature Range: 33°F - 180°F

## APPROVALS

- ASSE 1003
- IAPMO/UPC
- CSA B356

## OPTIONS

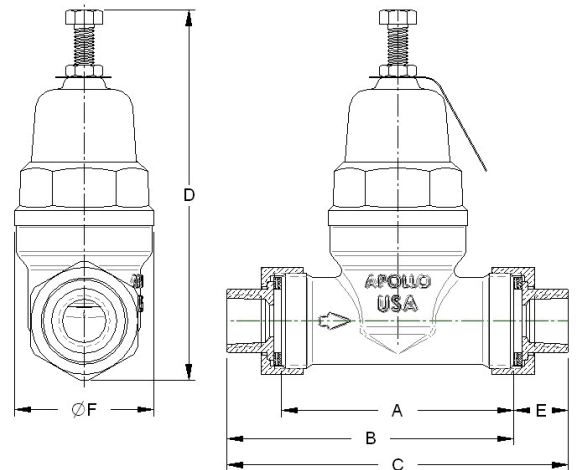
- (-B) - Bronze Cap** **NEW!**
- (-P) - Tapped w/ Plug
- (-G) - Tapped w/ Gauge
- (-O3) - High Pressure 75-150 psi
- (36ELF) - Certified Lead Free

## STANDARD MATERIALS LIST

<b>BODY</b>	Bronze, ASTM B584
<b>UNION NUT</b>	Brass, ASTM B16
<b>TAILPIECE</b>	Brass, ASTM B16
<b>SCREEN</b>	Stainless Steel
<b>CAP</b>	Noryl
<b>DIAPHRAGM</b>	NSF Grade EPDM
<b>SEAT DISC</b>	NSF Grade EPDM
<b>ADJUSTING SCREW/NUT</b>	Stainless Steel
<b>SPRING</b>	Spring Steel, ASTM 228
<b>O-RINGS</b>	NSF Grade EPDM

## DIMENSIONS

SIZE (IN.)	DIMENSIONS (IN.)						SINGLE UNION WT. (LB.)	DOUBLE UNION WT. (LB.)
	A	B	C	D	E	F		
<b>THREADED</b>								
1-1/4"	5.5	6.62	7.74	10	1.12	3.38	7.22	8.34
1-1/2"	5.5	6.8	8.1	10	1.3	3.38	7.61	8.92
2"	5.5	6.93	8.36	10	1.43	3.38	9.2	11.6
<b>SOLDER</b>								
1-1/4"	5.5	6.62	7.74	10	1.12	3.38	7.22	8.34
1-1/2"	5.5	6.8	8.1	10	1.3	3.38	7.61	8.92
2"	5.5	6.93	8.36	10	1.43	3.38	9.2	11.6
<b>PRESS (WITH UNIONS)</b>								
1-1/4"	5.5	6.80	8.10	10	1.30	3.38	N/A	9.4
1-1/2"	5.5	7.22	8.94	10	1.72	3.38	N/A	9.5
2"	5.5	7.44	9.38	10	1.94	3.38	N/A	11.6
<b>PRESS (DIRECT CONNECTORS)</b>								
1-1/4"	5.5	N/A	7.98	10	1.24	3.38	N/A	9.4
1-1/2"	5.5	N/A	8.72	10	1.61	3.38	N/A	9.5
2"	5.5	N/A	9.12	10	1.81	3.38	N/A	11.6

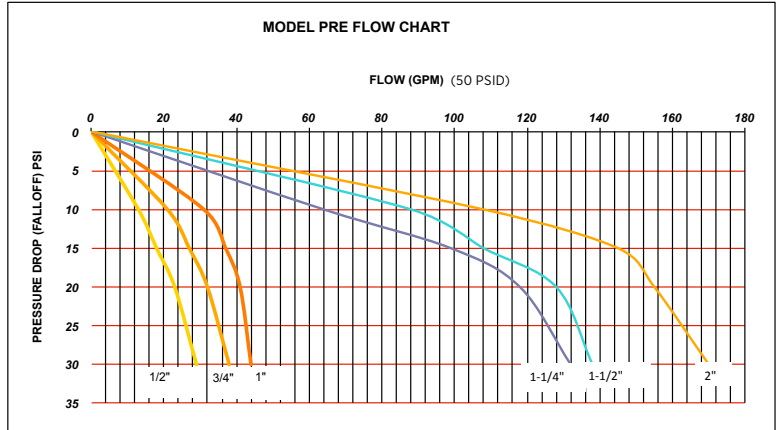


# 36E Series

Pressure Reducing Valve

## FLOW CURVE

PIPE SIZE	FALL-OFF (PSI)	PRESSURE DIFFERENTIAL (PSI)		
		25	50	75
		GPM		
1-1/4"	10	35	47	59
	15	58	77	96
	20	85	113	141
	30	99	132	165
1-1/2"	10	66	88	110
	15	81	108	135
	20	96	128	160
	30	104	138	172
2"	10	81	108	135
	15	109	145	181
	20	116	155	194
	30	128	170	212



*Pressure Differential is the difference between the inlet supply pressure and the adjusted outlet pressure.*  
*Pressure Falloff is the reduction in downstream pressure from the static (set) pressure as the flow increases through the valve.*

## PART NUMBER MATRIX

36ELF 36E	1	X	X	X	X	X	X
SERIES	STYLE	UNION	SIZE	OPTION	PRESSURE RANGE	CONNECTION	OPTION
36ELF (LEAD FREE)	1	0 - NO UNION (NPT)	6 - 1-1/4"	0 - NO GAUGE	1 - 15-75 PSIG	T - FNPT THREAD	BLANK - STANDARD POLYMER CAP
36E		1 - SINGLE UNION	7 - 1-1/2"	P - TAPPED & PLUGGED	3 - 75-150 PSIG	S - SOLDER	B - BRONZE CAP
		2 - DOUBLE UNION	8 - 2"	G - W/ GAUGE			Y - W/ WYE STRAINER