

711F

Class 125, Outside Screw & Yoke,
Globe Valve

SUBMITTAL SHEET

"Apollo" Valves



Job Name:	
Job Location:	
Engineer:	
Contractor:	
Tag:	
PO#:	
Rep:	
Wholesale Dist.:	

DESCRIPTION

The Apollo International™ Model 711F Flanged Cast Iron Globe Valve provides efficient throttling capabilities. The Model 711F Globe Valve can be reliably installed in plumbing and heating systems (or building service piping).

FEATURES

- Compatible with ANSI 125# & 150# Flanges
- Full Port
- Bronze Mounted Seat Rings/Trim
- Positive Shut-off
- Throttling Capabilities
- Adjustable Graphite Stem Packing
- Outside Screw & Yoke
- Flanged Connection
- Bolted Bonnet
- Rugged Iron Hand Wheel
- Back Seat Protection

PERFORMANCE RATING

- Saturated Steam: 125 psi (8.6 Bar) at 353°F
- Cold Working Pressure: 200 psi (13.8 Bar) at 100°F
- Temperature Range: -20°F to 406°F max

APPROVALS

- MSS SP-85 - Gray Iron Globe & Angle Valves Flanged and Threaded - Type 1
- ASME B16.10 - Face-to-Face and End-to-End Dimensions of Valves

STANDARD MATERIALS LIST

1	BODY	Cast Iron (ASTM A126 CL B)
2	GUIDE SPINDLE	Brass (ASTM B16)
3	SEAT RING	Cast Bronze (ASTM B62)
4	DISC SEAL RING	Cast Bronze (ASTM B62)
5	DISC	Cast Iron (ASTM A126 CL B)
6	SWIVEL NUT	Cast Brass (ASTM B584)
7	STEM	Brass (ASTM B16)
8	BOLTS	Carbon Steel (ASTM A307 B)
9	BODY GASKET	Graphite (Asbestos Free)
10	BONNET	Cast Iron (ASTM A126 CL B)
11	PACKING	Graphite (Asbestos Free)
12	PACKING GLAND	Cast Brass (ASTM B584)
13	GLAND FOLLOWER	Ductile Iron (ASTM A536 65-45-12)
14	GLAND FOLLOWER NUT	Carbon Steel (ASTM A307 B)
15	YOKE BUSHING	Cast Bronze (ASTM B62)
16	SCREW	Carbon Steel (ASTM A307 B)
17	HANDWHEEL	Cast Iron (ASTM A126 CL B)
18	IDENTIFICATION PLATE	Aluminum
19	WASHER	Carbon Steel (ASTM A307 B)
20	HANDWHEEL NUT	Ductile Iron (ASTM A536 65-45-12)
21	GLAND FOLLOWER BOLTS	Carbon Steel (ASTM A307 B)

PART NUMBER MATRIX

Size (in.)	Part Number
2"	6GB118B1
2-1/2"	6GB119B1
3"	6GB110B1
4"	6GB11AB1
5"	6GB11BB1
6"	6GB11CB1
8"	6GB11EB1
10"	6GB11GB1

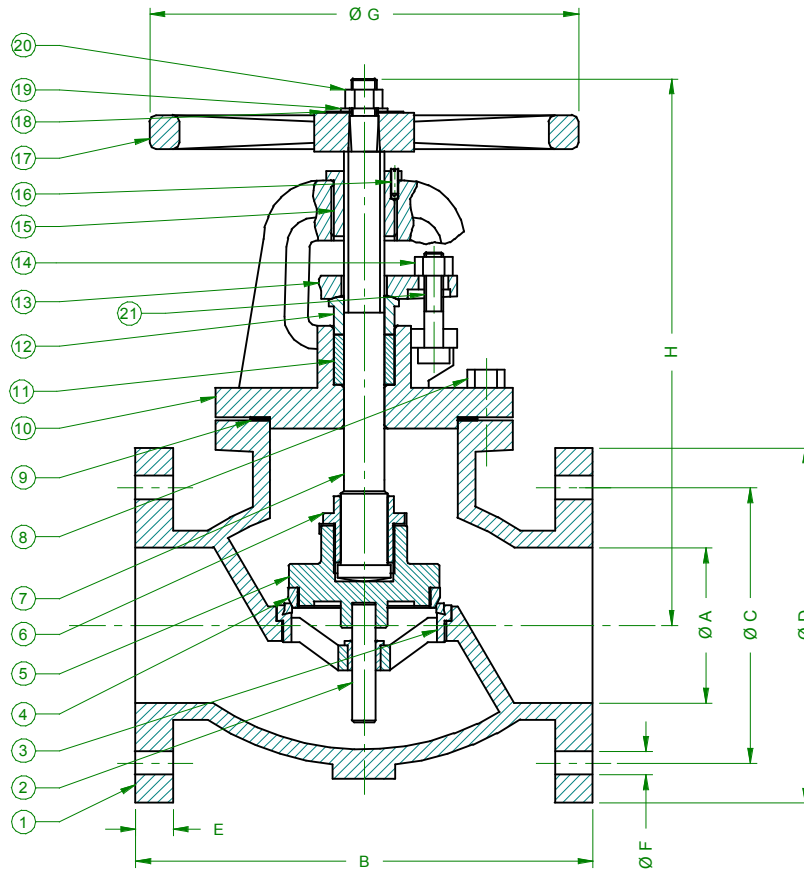
* The lead free version of this valve is a running change. Contact customer support for availability.

711F

Class 125, Outside Screw & Yoke,
Globe Valve

SUBMITTAL SHEET

"Apollo" Valves



Size (in.)	Dimensions (in.)								Wt. (lbs.)	Cv (Typ)
	A	B	C	D	E	F	G	H (Open)		
2"	2.00	8.00	4.76	6.00	0.62	0.75	7.00	11.61	36	52
2.5"	2.50	8.50	5.50	7.00	0.69	0.75	7.00	12.99	49	76
3"	3.00	9.50	6.00	7.50	0.75	0.75	8.00	14.37	64	116
4"	4.00	11.50	7.50	9.00	0.94	0.75	10.00	15.75	94	204
5"	5.00	13.00	8.50	10.00	0.94	0.88	12.00	17.72	137	328
6"	6.00	14.00	9.50	11.00	1.00	0.88	12.00	20.67	195	488
8"	8.00	19.50	11.75	13.50	1.12	0.88	14.00	23.43	315	874
10"	10.00	24.50	14.25	16.00	1.19	1.00	16.00	26.97	485	1376

Cv = GPM @1 psi pressure drop, 60°F water

*Cv values are estimates only